

Haehae Bike Stand



Haehae Bike Stand

PRODUCT FEATURES

- High strength fabricated steel construction
- 5.0mm Mild Steel
- All fixings: Stainless Steel 316
- Supplied fully assembled
- Hot Dip Galvanised
- Finished in any standard powder coat colour

DIMENSIONS

- Height 850mm, Width 600mm

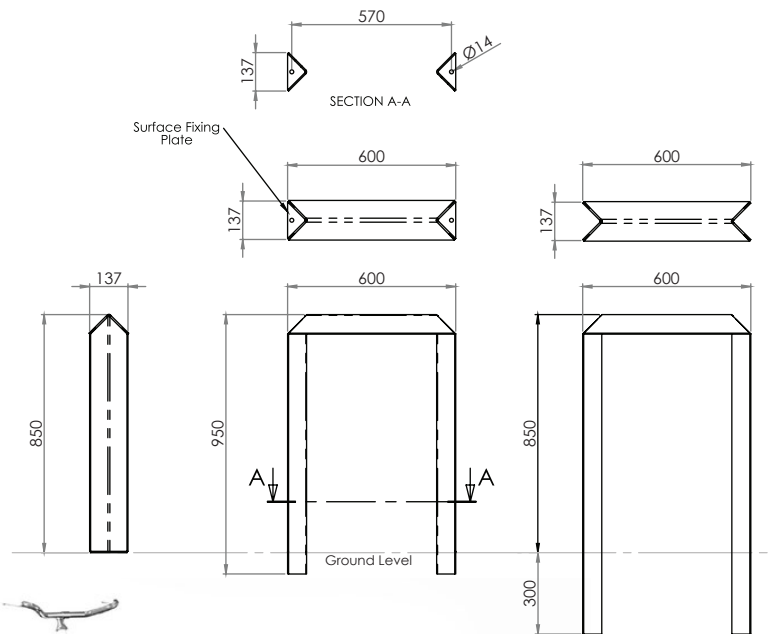
SPECIFICATIONS

Options

- No tap-rail
- Tap-rail

Fixing

- Above Ground Flange Fixed (AGFF)
- Below Ground Flange Fixed (BGFF)
- Root Fixed (RF)



Haehae Bike Stand with tap-rail



Haehae Bike Stand set

Haehae Bike Stand

Care & Maintenance Suggestions

Our products are constructed using a variety of different materials, all of which are highly corrosion resistant. Despite this, some care is required to maintain their good looks. The extent to which cleaning is required will depend on a number of factors including environmental conditions, construction activity and level of use.

MAINTAINING THE METAL SURFACES

To maintain the original appearance of the metal, it should be cleaned regularly using warm soapy water.

Galvanised Steel: If the galvanised coating is significantly penetrated, a zinc rich primer should be applied to the damaged area to maintain its corrosion resistance.

MAINTAINING THE PAINTED OR POWDER COATED SURFACES

Clean regularly with warm soapy water. Should the paint become chipped or scratched, it can be touched up using an acrylic based paint.



WELLINGTON

1-7 Jean Batten St, Rongotai, Wellington 6022
PO Box 14122, Kilbirnie, Wellington 6241, New Zealand
T +64 4 387 7009 F +64 4 387 9114 E wgtnsales@tilleygroup.co.nz

AUCKLAND

36 Aranui Rd, Mt Wellington
Auckland 1060, New Zealand
T +64 9 527 7385 E akldsales@tilleygroup.co.nz

CHRISTCHURCH

Level 1/306 Port Hills Rd, Hillsborough
Christchurch 8022, New Zealand
T +64 3 331 6565 E chchsales@tilleygroup.co.nz