

Tilley 2-Tier Cycle Rack



Robust, secure & easy to use, the Tilley 2-Tier Cycle Rack is designed to stand in any environment or fit easily inside our Cycle Shelter.

PRODUCT FEATURES

- High Strength fabricated Aluminium and Steel Construction
- All fixings: Stainless Steel 316
- Supplied fully assembled
- Supports 85-95.0mm wheel widths
- Top tier gas assisted for easy lifting
- Locking Loop
- Caution/awareness safety stickers
- Natural Finish

DIMENSIONS

- Height 2207mm Depth 2028mm
- 6x2 Rack Width 2450mm
- 8x2 Rack Width 3420mm

BODY SPECIFICATIONS

Frame

- 4-5.0mm HRMS
- Hot Dip Galvanised AS/NZS 4680:2006

Rack

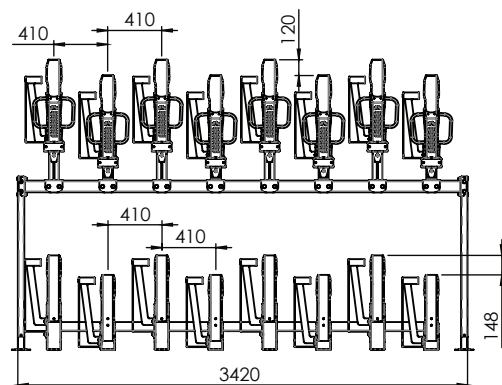
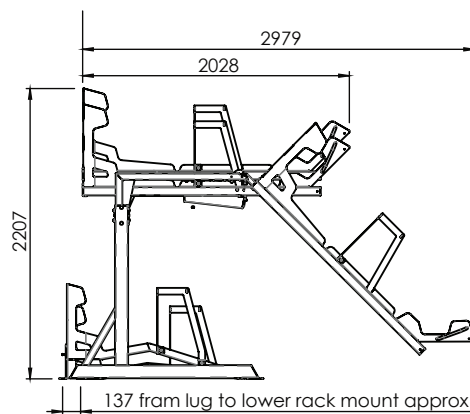
- 5.0mm Aluminium

Finish

- Optional Powder Coating

Mounting

- Above Ground Flange Fixed



TILLEY

STREET AND PARK FURNITURE

Tilley 2-Tier Cycle Rack

Care & Maintenance Suggestions

Our products are constructed using a variety of different materials, all of which are highly corrosion resistant. Despite this, some care is required to maintain their good looks. The extent to which cleaning is required will depend on a number of factors including environmental conditions, construction activity and level of use.

MAINTAINING THE METAL SURFACES

To maintain the original appearance of the metal, it should be cleaned regularly using warm soapy water.

Galvanised Steel: If the galvanised coating is significantly penetrated, a zinc rich primer should be applied to the damaged area to maintain its corrosion resistance.

MAINTAINING THE PAINTED OR POWDER COATED SURFACES

Clean regularly with warm soapy water. Should the paint become chipped or scratched, it can be touched up using an acrylic based paint.



Easy to use with large handles and gas-assisted lifting



Lower tier close-up



Top tier detail



Tilley Group Ltd

DOC 1130/2

WELLINGTON

1-7 Jean Batten St, Rongotai, Wellington 6022
PO Box 14122, Kilbirnie, Wellington 6241, New Zealand
T +64 4 387 7009 F +64 4 387 9114 E wgtnsales@tilleygroup.co.nz

AUCKLAND

36 Aranui Rd, Mt Wellington
Auckland 1060, New Zealand
T +64 9 527 7385 E akldsales@tilleygroup.co.nz

CHRISTCHURCH

Level 1/306 Port Hills Rd, Hillsborough
Christchurch 8022, New Zealand
T +64 3 331 6565 E chchsales@tilleygroup.co.nz