

Taniko Bench



Taniko Bench with optional arm rest and optional herringbone perforated leg cover.

PRODUCT FEATURES

- Laser cut 5.0mm thick Mild Steel frame
- High Strength fabricated steel construction
- All fixings: Stainless Steel 316
- Supplied fully assembled

DIMENSIONS

- Length 1987mm Height 442mm
- Depth 490mm

BODY SPECIFICATIONS

- Hardwood Timber Battens

Frame

- Hot Dip Galvanised AS/NZS 4680:2006
- Optional Powder Coat Colour Finish

Leg Covering

- 3.0mm Mild Steel
- Solid
- Optional Herringbone perforation.

Arm Rest

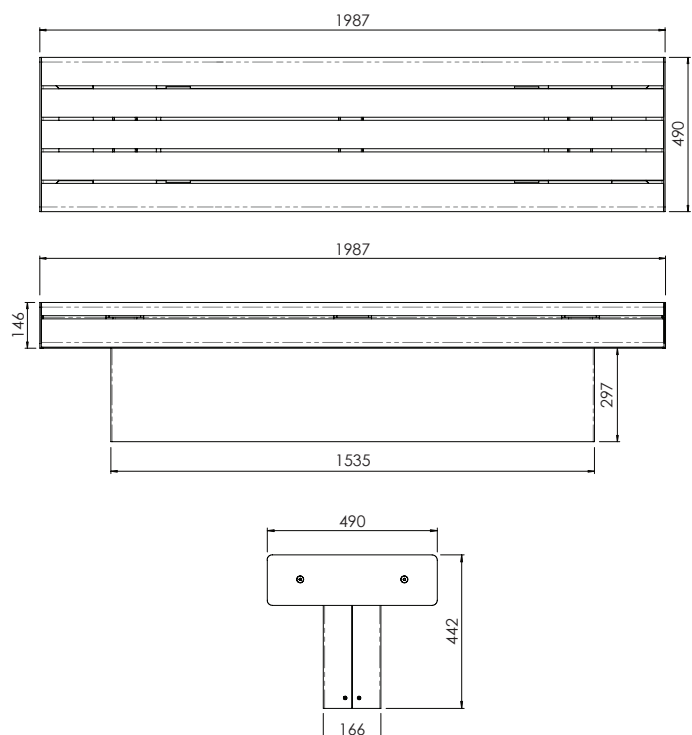
- No Arm Rest
- Optional Arm Rest (single)

Anti-skateboard Brackets

- No Anti-skateboard Brackets
- Optional Stainless Steel Brackets

Fixing

- Above Ground Flange Fixed (AGFF)
- Below Ground Flange Fixed (BGFF)



Taniko Bench

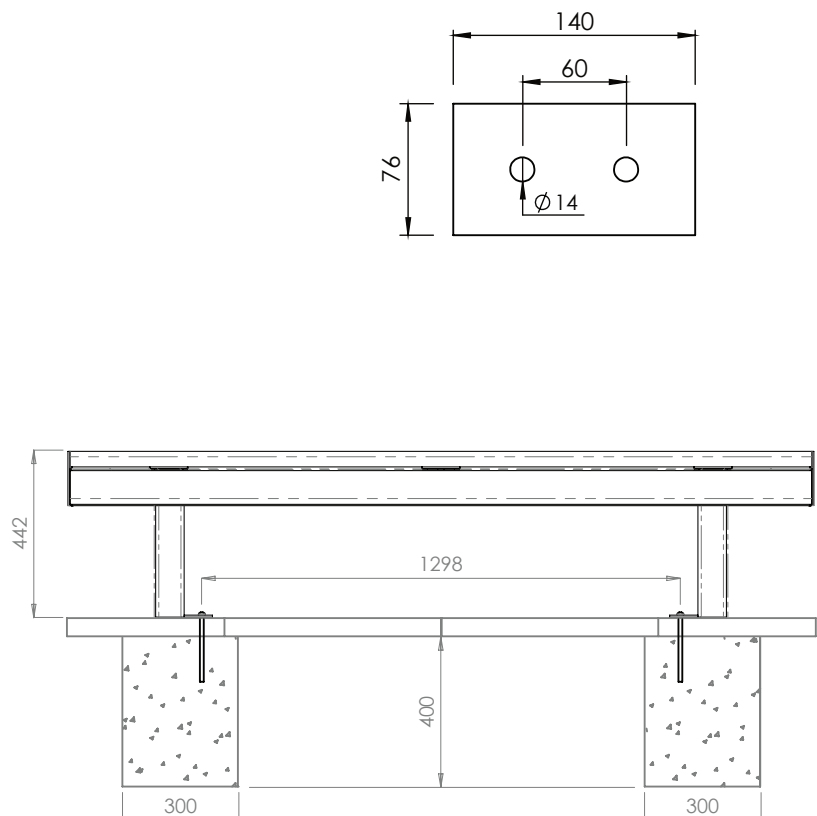
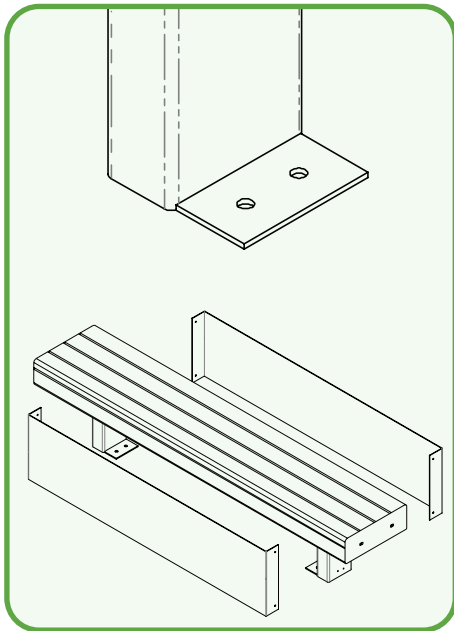
AGFF Fixing instructions

(for areas already paved)

1. Set out the position of the Taniko Bench.
2. Where the area has been paved remove sufficient pavers to facilitate excavation.
3. Excavate holes and cast foundation to engineer's specification and recommendation shown below.
4. Once foundation has hardened, apply a layer of dry sand/cement mix over the pad. Compact and adjust to bring this to the level of the underside of the paving.
5. Replace the paving slabs and ensure they are well bedded in.
6. Ensure the bench's leg covers are off so that the legs and fixing plates are exposed.
7. Position the bench and mark hole positions.
8. Remove the bench and drill through the paving slabs into the concrete pad below. Drill following fixing manufacturers instructions to suit the chosen fixing. Use M12 bolts to fix.
9. Insert the fixings into the ground following fixing manufacturer's instructions then reposition the Taniko Bench. Screw on and tighten the nuts.
10. Securely attach the leg covers.

Foundations

Foundations must be to engineer's specification. Our recommended dimensions are shown on the diagram. Where depth of foundation is reduced, the surface footprint should be increased accordingly. Ensure minimum edge distances and depths required for selected fasteners are met.



Taniko Bench

Care & Maintenance Suggestions

Our products are constructed using a variety of different materials, all of which are highly corrosion resistant. Despite this, some care is required to maintain their good looks. The extent to which cleaning is required will depend on a number of factors including environmental conditions, construction activity and level of use.

MAINTAINING THE METAL SURFACES

To maintain the original appearance of the metal, it should be cleaned regularly using warm soapy water.

Galvanised Steel: If the galvanised coating is significantly penetrated, a zinc rich primer should be applied to the damaged area to maintain its corrosion resistance.

MAINTAINING THE PAINTED OR POWDER COATED SURFACES

Clean regularly with warm soapy water. Should the paint become chipped or scratched, it can be touched up using an acrylic based paint.

MAINTAINING THE TIMBER

Dirt can be removed using mild detergents. If the timber is left untreated, over time it will gradually change to a silvery grey colour. The timber will remain structurally sound without further maintenance.



Taniko Bench with Optional Arm Rest.



Taniko Bench close-up detail.



Taniko Bench with optional arm rest and optional herringbone perforated leg cover.

WELLINGTON

1-7 Jean Batten St, Rongotai, Wellington 6022
PO Box 14122, Kilbirnie, Wellington 6241, New Zealand
T +64 4 387 7009 F +64 4 387 9114 E wgtnsales@tilleygroup.co.nz

AUCKLAND

36 Aranui Rd, Mt Wellington
Auckland 1060, New Zealand
T +64 9 527 7385 E akldsales@tilleygroup.co.nz

CHRISTCHURCH

Level 1/306 Port Hills Rd, Hillsborough
Christchurch 8022, New Zealand
T +64 3 331 6565 E chchsales@tilleygroup.co.nz